

Automated Bagging System

Hamer-Fischbein Model 3603™

- Fully integrated bagging system for a wide range of powdered products
- Combine with auger filling system
- Up to 6 bags a minute

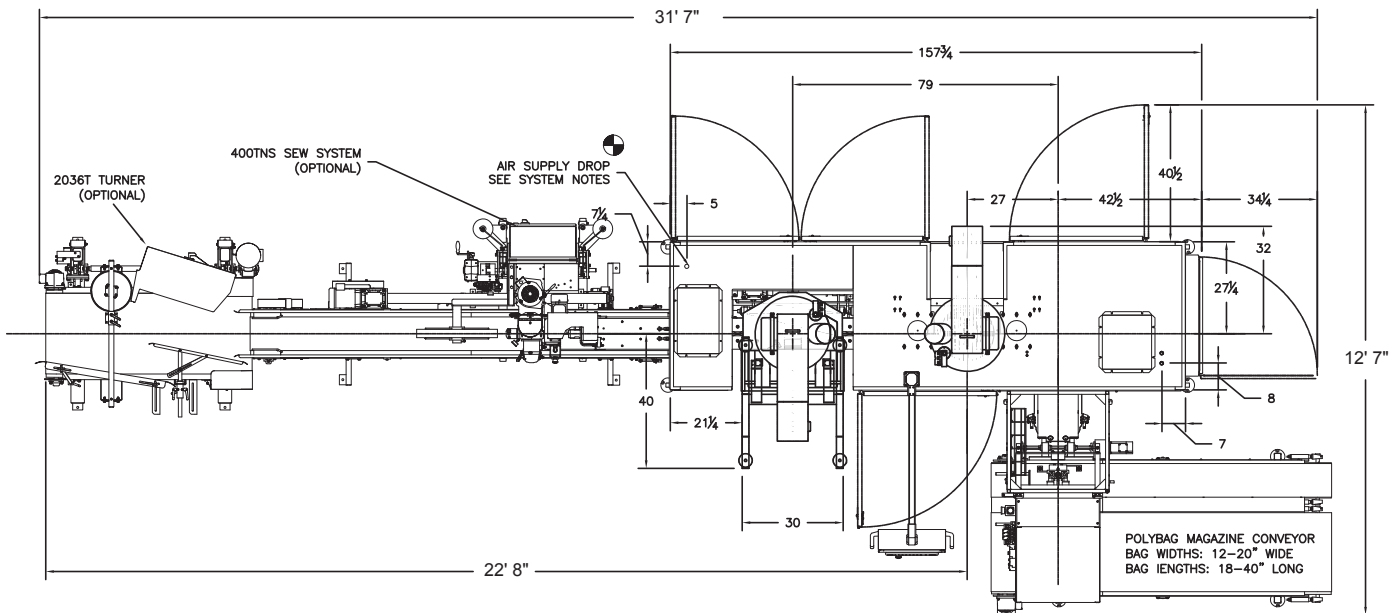
The Hamer-Fischbein Model 3603 automatically picks and positions the empty bag on the “bulk” filler spout, fills the empty bag with product and immediately guides the bag to the “dribble” filler spout where the final bag filling and weighment are made. The Model 3603 is integrated with an auger filling system and is capable of handling gusseted style multi-wall paper and paper pinch bags.



Shown with Fischbein PBC 6000 Sealer and Optional Conveyors

Hamer-Fischbein® Model 3603™

Automated Bagging System



FEATURES

BAG TYPES

Processes a variety of flat or gusseted bags, including multi-wall paper.

FAST PRODUCT CHANGEOVER

Product change-over is fast, easy, and safe thanks to advanced touch screen controls and motorized adjustments.

AUTO BAG CORRECTION:

Auto bag index correction ensures the bag is centered under the spout prior to filling.

NO BAG - NO DUMP FEATURE

The “no bag-no dump” feature prevents the machine from releasing product unless the bag is centered correctly, making for minimal product spills.

OPTIONS

- Integrated sealing conveyor
- Extended bag feed conveyor
- Special anti-corrosion package
- Automated tilt tray adjustments
- Network router
- Enhanced dust controls
- Tagger infeed assembly
- 575 VAC
- Data collection and reporting

SPECIFICATIONS

- Dimensions: L 156 in (395 cm), D 104 in (264 cm), H 72 in (182.88 cm)
- Speed: Up to 6 bags per minute, product and bag size dependent
- Electric (NEMA 12): 460 VAC, 3 PH, 60 Hz
- Air: 10 cfm @ 60 PSI

BAGS

- Bag Types: Multi-wall paper, Woven polypropylene bags and PE.
- Bag Thickness: Maximum 12 mils
- Bag Sizes: Min: 12"W x 18"L (30.5 cm x 45.7 cm)
Max: 20"W x 40"L (50.8 cm x 101.6 cm)
- Free Bag Top: Minimum 7 in (17.8 cm)

APPLICATIONS

- Food Additives
- Flour
- Powdered Dairy Products
- Bakery Mixes
- Spices
- Seasonings

800-927-4674

**HAMER
FISCHBEIN®**

A DURAVANT COMPANY

Specifications are subject to change without notice.

